

# Snow Plow Headlight



## Combination headlight with dual high/low bulb.

Integrated park and turn signal light.



### Feature

- Combination headlight
- Strong and durable
- Combination headlight
- Visible park / turn signal light
- Pre-wired
- Sold as a kit



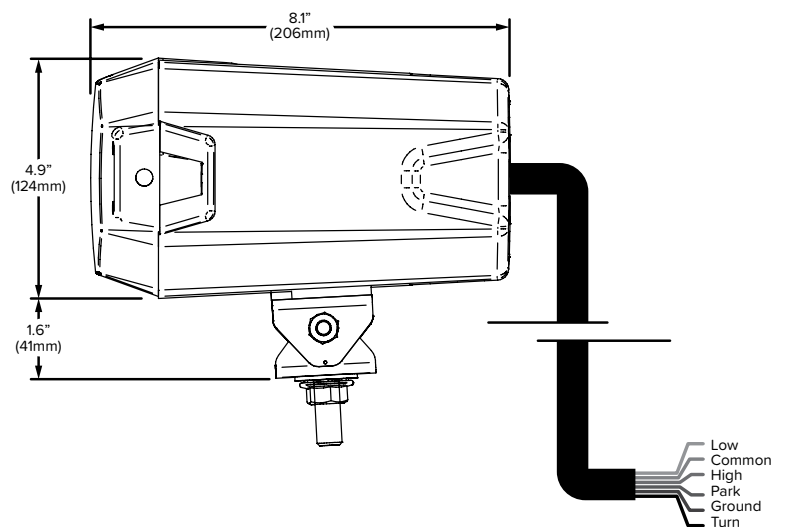
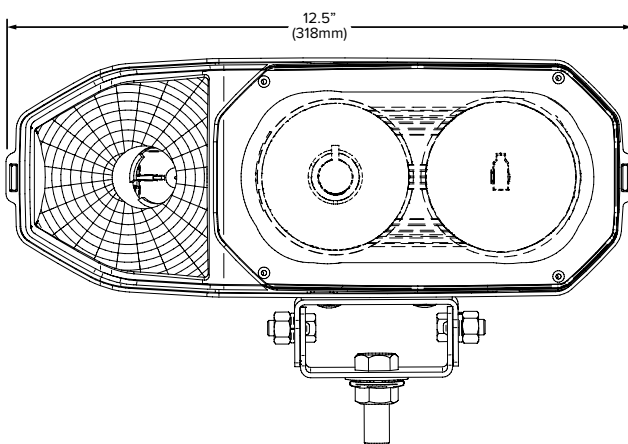
### Benefit

- Dedicated high and low beam bulb.
- Built for tough conditions.
- Increases road illumination.
- Improves road safety.
- Easy to install and easy bulb upgrade.
- Includes two lights, wire harness and mounting brackets.

### Specifications

Operating Voltage:	12 - 24Vdc
Operating Current:	4.6A @ 12Vdc 2.3A @ 24Vdc
Power Consumption:	55W
Temperature Range:	-40°C to +65°C
Ingress Protection:	IP68 & IP69K
Weight:	5.5lbs (2.5kg)
Housing:	Polypropylene
Lens:	Polycarbonate
Connection:	Universal Wire Harness
Polarity:	Reverse Voltage Protected
Vibration Resistance:	10-500Hz @ 5Grms
Mounting:	U-Bracket
Compliance:	FMVSS108 and CMVSS108

Part #	Description	Operating Voltage
81091/2	Snow Plow Headlight Kit	12Vdc
82091/2	Snow Plow Headlight Kit	24Vdc
85045	H1 Bulb   12V 55W   High Beam	
85101	H7 Bulb   12V 55W   Low Beam	
10-1157NA	1157NA Bulb   Amber	



For more lighting and electronic solutions,  
please check out our catalogue.