

# XWL-PAR 36 Series LED WORK LIGHT | 1400 LUMENS



## High performance PAR 36 work light.

Delivers 1400 lumens of bright white illumination.



### Feature

- 1400 lumens
- 5700K cool white light
- Die cast aluminum housing, polycarbonate lens
- Fully sealed light
- IP67
- Constant current circuit draw
- 3 beam patterns



### Benefit

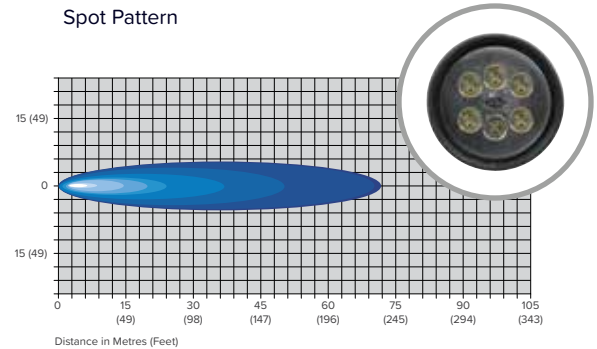
- 3 times brighter than standard halogen PAR 36.
- Close to daylight illumination, reducing eye fatigue.
- Virtually unbreakable.
- Total circuit board protection.
- Waterproof and dust protected.
- Light does not dim even if voltage fluctuates.
- Get light where it's needed most.

## Specifications

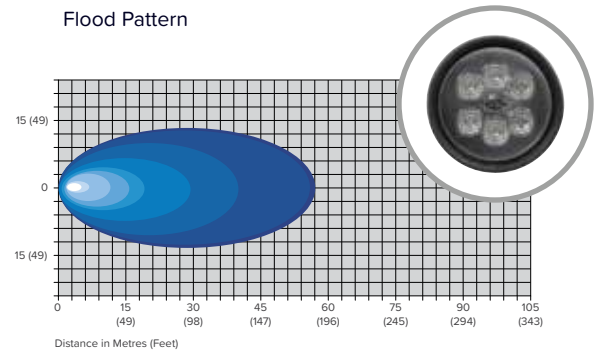
Operating Voltage:	12 - 24Vdc
Operating Current:	1.8A @ 12Vdc 0.9A @ 24Vdc
Power Consumption:	22W
Colour Temperature:	5700K
Temperature Range:	-40°C to +85°C
Ingress Protection:	IP67
Weight:	24.4oz (692g)
Housing:	Die Cast Aluminum
External Housing:	EPDM Rubber
Housing Coating:	Black E-Coat
Lens:	Optical Grade Polycarbonate
Lens Coating:	UV Hardcoat Finish
Connection:	1/4" Male Disconnect
Mounting:	Stainless Steel U-Bracket and Hardware

## Beam Patterns

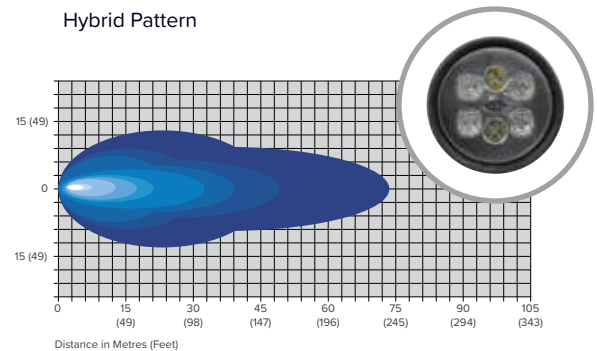
### Spot Pattern



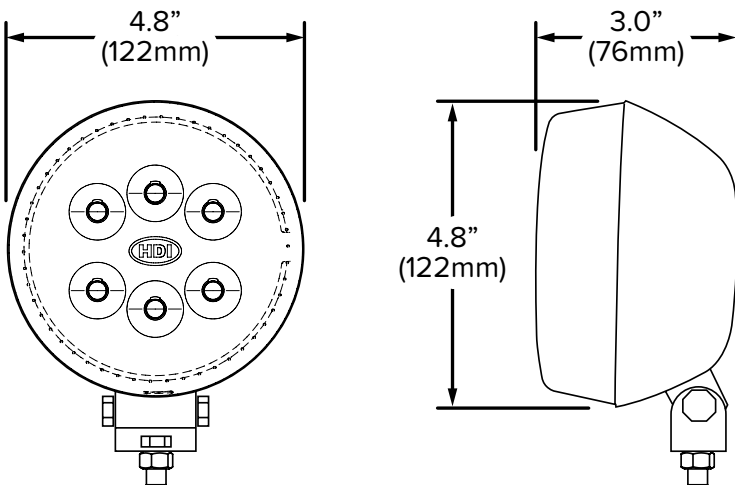
### Flood Pattern



### Hybrid Pattern



Part #	Beam Pattern	Lumens	Operating Voltage
81447	Spot	1400	12 - 24Vdc
81448	Flood	1400	12 - 24Vdc
81449	Hybrid	1400	12 - 24Vdc



For more lighting and electronic solutions, please check out our catalogue.