

Thermal Circuit Breaker
3 - 40 Amp Compact Design
UL 1500 Ignition Proof
Reliable on Land or Sea



Series 15

Raising the Bar
MP - Count on it



Mechanical Products Company

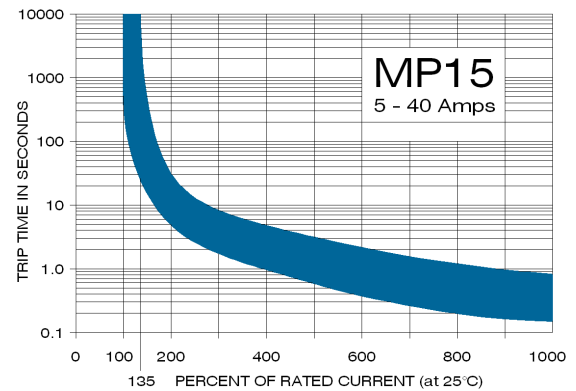
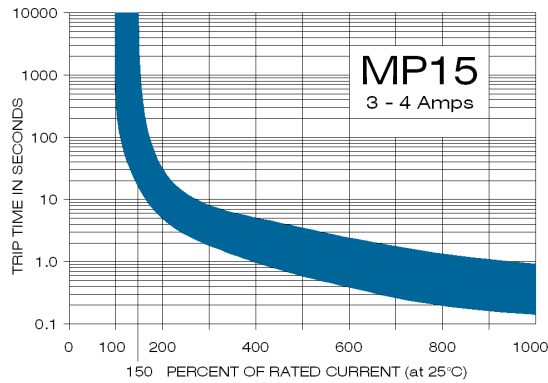
Series 15 Overview

The Series 15 is an innovative, economical and compact thermal circuit breaker designed for your equipment protection needs in the 3-40 amp range. The MP Series 15 is suitable for a variety of applications ranging from medical equipment to household appliances to marine applications.

Series 15 offers:

- AC/DC ratings from 3 to 40 Amps
- UL 1500 Ignition Protection
- UL, cUL, CSA, VDE, CCC
- European RoHS Directive compliance
- Choice of snap-in or thread mounting
- Multiple hardware and boot options
- 7 unique termination options
- Amperage indication between terminals
- **Cadmium Free**

Series 15 Operating Characteristics



Series 15 Specifications

Standard Amp Ratings

Series 15 thermal circuit breakers are available in current ratings of 3A, 4A, 5A, 6A, 7A, 8A, 10A, 12A, 15A, 20A, 25A, 30A, 35A, & 40A.

Minimum Ultimate Trip

The Series 15 offers a minimum ultimate trip of 100% of rated current at 25°C/77°F.

Interrupt/Voltage Ratings

1,000A @ 250VAC / 50 VDC 3-40A.
2,500A @ 32 VDC

Corrosion (Salt Spray)

The Series 15 conforms to 98hr, 5% salt mist, per IEC 60068-2-11, test Ka.

Regulatory Approvals

UL/cUL recognition per UL 1077 (E66224), CSA per C22.2-235 (027156), VDE (40041447) and UL 1500 for Ignition Protection. CCC. All are RoHS Compliant.

Maximum Ultimate Trip

The Series 15 maximum ultimate trip is 135% of rated current for ratings of 5A - 40A and 150% for ratings 3A - 4A, at 25°C/77°F.

Voltage Drop

The Series 15 has a maximum voltage drop of 0.25V at rated current.

Vibration and Shock

The Series 15 is vibration rated at 8g per IEC 60068-2-6, test Fc, and shock rated at 30g (11ms) per IEC 60068-2-27, test Ea.

Overload Trip Time Data (in seconds)

Current Rating	200%	300%	400%	500%	600%	800%	1000%
3 - 4 A	5 - 40	1.8 - 8	1 - 5	0.6 - 3.3	0.4 - 2.4	0.2 - 1.3	0.15 - 0.9
5 - 40 A	5 - 30	1.8 - 7.6	1 - 4.5	0.6 - 3.0	0.4 - 2.2	0.2 - 1.2	0.15 - 0.8

Ambient Temperature Correction Factor

Current Rating	°F	23	32	68	77	86	104	122	140
	°C	-5	0	20	25	30	40	50	60
3 - 20 A		.72	.80	.95	1.00	1.05	1.15	1.35	1.50
21 - 40 A		.80	.85	.95	1.00	1.05	1.10	1.25	1.40

Specifications subject to change

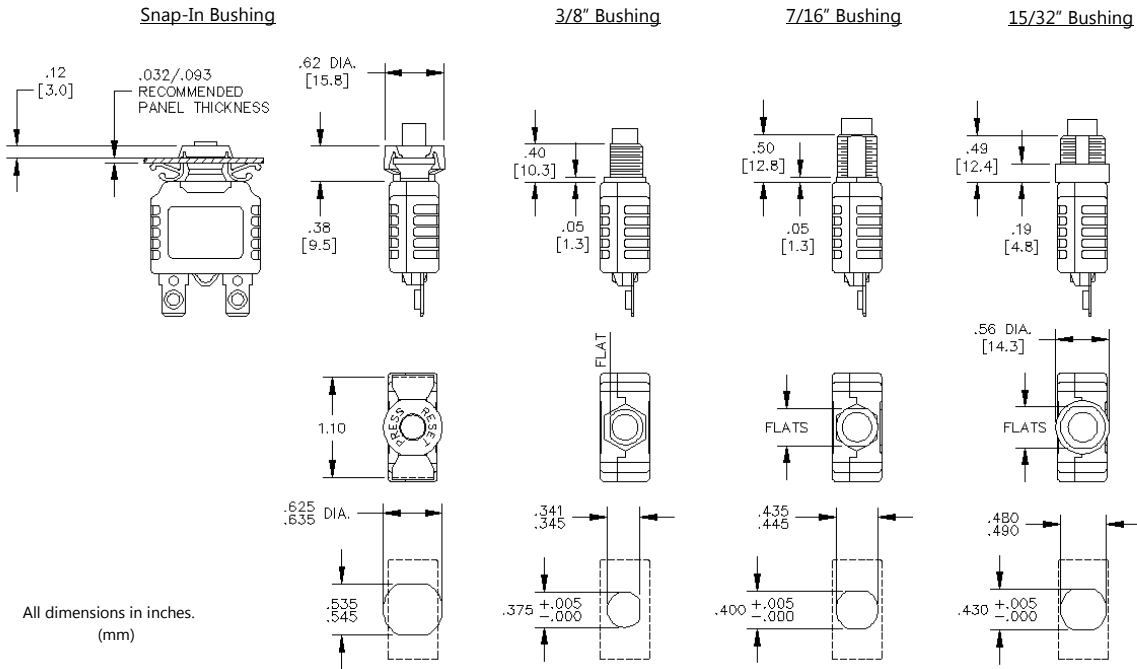


Mechanical Products Company

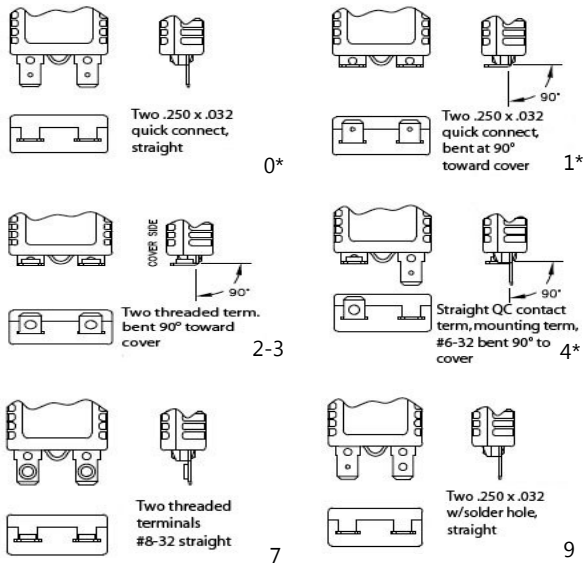
1112 N. Garfield St. Lombard, IL 60148 helpme@mechprod.com phone 630 | 953 | 4100 fax 630 | 953 | 4110 www.mechprod.com

Series 15 Physical Configuration

Bushing Options (See Part Numbering Guide)

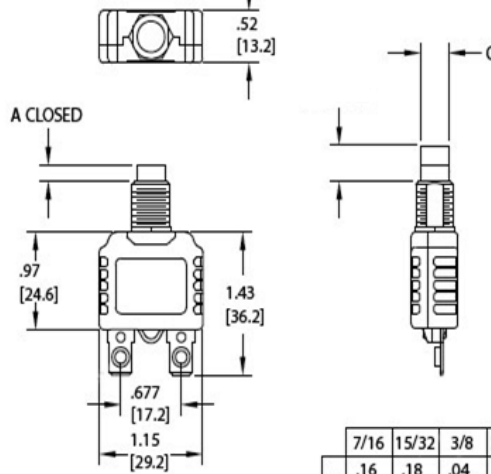


Terminal Options (See Part Numbering Guide)



*Option available on 3-30A only.

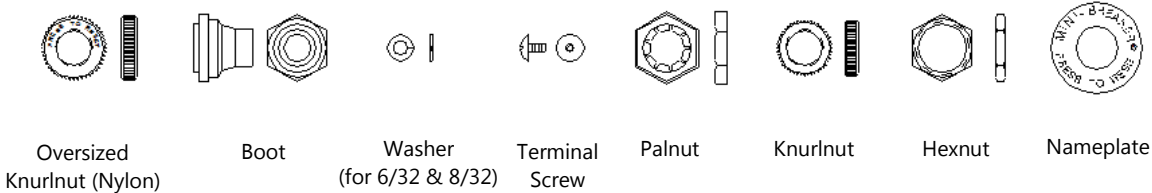
Envelope Dimensions



All dimensions in inches.
(mm)

	7/16	15/32	3/8	SNAP-IN
A	.16 [4.2]	.18 [4.5]	.04 [1.1]	.07 [1.84]
B	.36 [9.2]	.38 [9.5]	.24 [6.1]	.25 [6.3]
C	.30 [7.5]	.30 [7.5]	.24 [6.1]	.24 [6.1]

Hardware Options (See Part Numbering Guide)



Mechanical Products Company

1112 N. Garfield St. Lombard, IL 60148 helpme@mechprod.com phone 630 | 953 | 4100 fax 630 | 953 | 4110 www.mechprod.com

Specifications Subject to Change

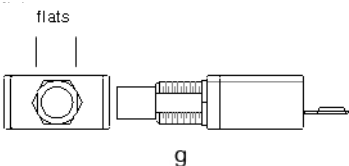
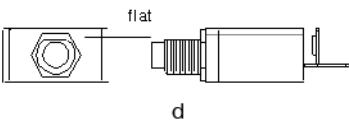
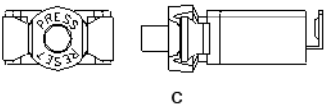
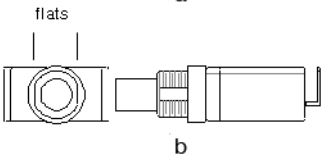
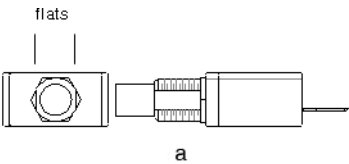
Series 15 Part Numbering Guide

Series Number

15 = Series 15 Circuit Protector

P/N: 1 5 0 - 1 - -

Code	Mounting Bushing
0	7/16"-28 thread - Two bushing flats perpendicular to case thickness (a)
3	15/32"-32 thread - Shouldered with two flats perpendicular to the case thickness (b)
6	Snap-in bushing - "Press" mark parallel to case thickness and opposite terminals (c)
8	3/8"-27 threaded nylon - one flat parallel to case thickness and opposite terminals (d)



Code	Button
0	White - No amp stamp
1	White - Black parallel amp stamp (e)
2	White - Black perpendicular amp stamp (f)
3	Black - No amp stamp
4	Black - White parallel amp stamp (e)
5	Black - White perpendicular amp stamp (f)
6	Black - No amp stamp, white trip indicator
7	Black - White parallel amp stamp, White trip indicator (e)
8	Black - White perpendicular amp stamp, White trip indicator (f)

Code	Amp Rating
030	3.0A
040	4.0A
050	5.0A
060	6.0A
070	7.0A
080	8.0A
100	10.0A
120	12.0A
150	15.0A
200	20.0A
250	25.0A
300	30.0A
350	35.0A
400	40.0A

Code	Hardware
7/16" BUSHING	
15	1 ea. Knurl nut, pal nut
A2	1 ea. Knurl nut, pal nut 2 ea. #6-32 terminal screw, lock washer
C5	1 ea. Knurl nut, pal nut 2 ea. #8-32 terminal screw, lock washer

15/32" BUSHING	
13	1 EA. Knurl nut, lock washer

3/8" BUSHING	
51	1 ea. Knurl nut, pal nut
A9	1 ea. Black nylon knurl nut, lock washer 2 ea. #8-32 terminal screw, lock washer
E4	1 ea. Knurl nut, pal nut 2 ea. #6-32 terminal screw, lock washer
97	1 ea. Black nylon knurl nut, metal lock washer

Code	Terminals
0	Both terminals quick connect, straight (a)*
1	Both terminals quick connect, bent at 90° (b)*
2	Both terminals w/ #6-32 threads, bent at 90° (c)
3	Both terminals w/ #8-32 threads, bent at 90° (c)
4	One terminal quick connect straight and one terminal w/ #6-32 threads, bent at 90° (d)*
7	Both terminals #8-32 threads, straight (g)
9	Both terminals solder hole straight (a)

*Option available on 3-30A only.



Smallest 40 amp Circuit Breaker

⚠ WARNING: CANCER & REPRODUCTIVE HARM – www.P65Warnings.Ca.Gov/
 • For More Information visit www.mechprod.com/MP_Prop_65



Mechanical Products Company

1112 N. Garfield St. Lombard, IL 60148 helpme@mechprod.com phone 630 | 953 | 4100 fax 630 | 953 | 4110 www.mechprod.com

Specifications Subject to Change