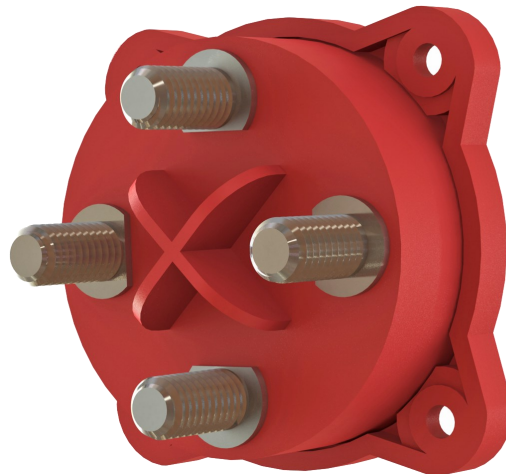
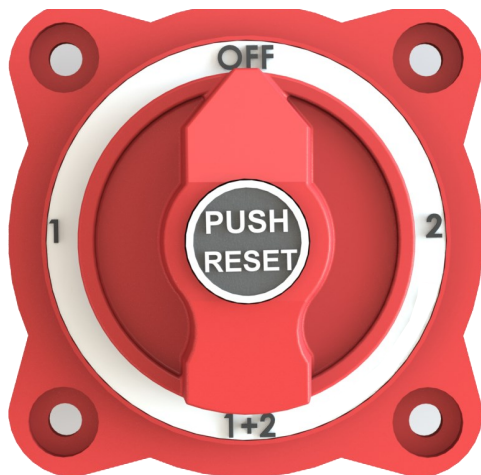


# Series X6-SM

Small Frame Battery Selector Disconnect Switch with integrated Circuit Breaker

**PATENT  
PENDING**



## Series X6-SM Specifications

### Selector Switch

Cranking Rating: 10 sec.	2,000A
Cranking Rating: 1 min.	900A
Intermittent Rating: 5 min.	500A
Continuous Rating:	300A
Maximum Operating Voltage:	32VDC
Terminal Stud Size:	3/8" -16
Recommended Ring Terminal:	M10
Max. Terminal Stud Torque:	120 in-lb (13.56 N-m)
Mounting:	#10 Screw
Cable Size to Meet Ratings:*	4/0 AWG (95mm <sup>2</sup> )
Cable Clearance for 4/0 Cables:	1.10" (27.9mm)

\*reducing cable size will reduce current rating

### Regulatory compliance pending

Ignition Protected: UL1500/SAE J1171

Dielectric Strength: UL1107

Interrupt Capacity: ABYC-E11

### House Circuits protection

ABYC-E11

UL1107

SAE J553

### Circuit Breaker -

Circuit Protection for House / Auxiliary circuits

### Standard Amp Rating

Series X6 can be specified in current ratings of 25A to 150A

### Maximum Voltage Ratings

48 VDC maximum for (25 - 150 Amp)

30 VDC maximum for (175 - 200 Amp)

### Hold Trip

Holds 100% of rated current

Trips at 135% of rated current

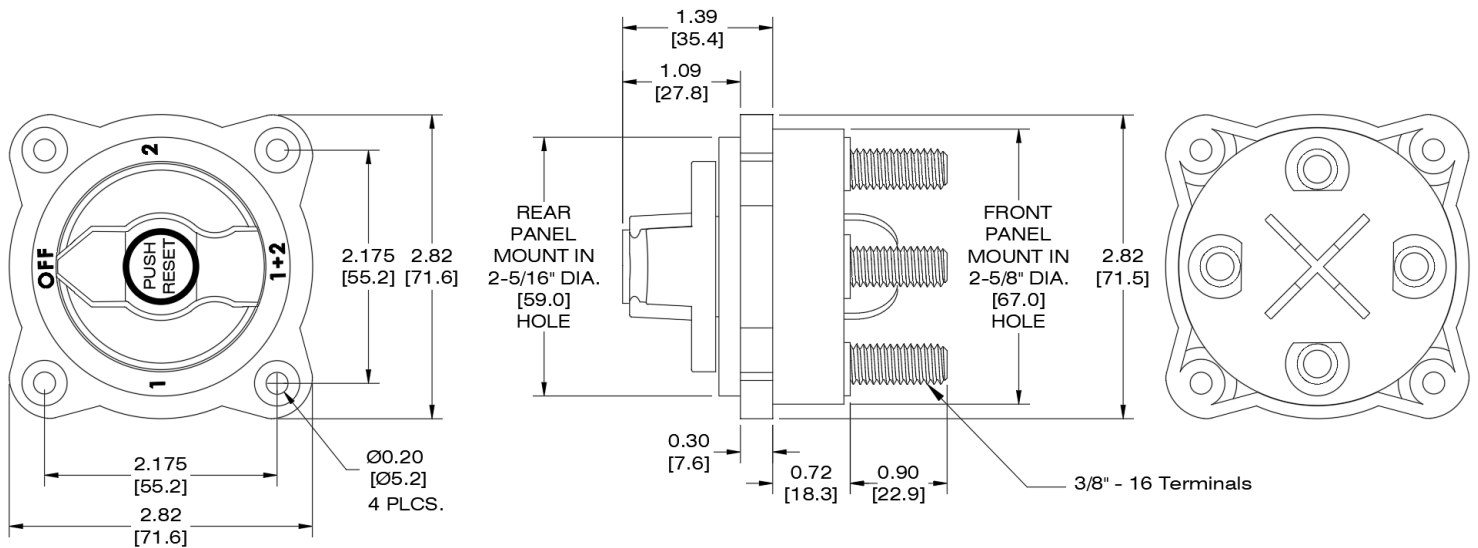
**COMING SOON**

Source One Supply, Inc.

33410 Liberty Parkway North Ridgeville, OH 44039  
844-539-4677 liz@sourceonesupply.com

Specifications subject to change

## Series X6-SM Physical Configuration



Selector—4 Pos.  
 4 Switch positions  
 2 battery inputs  
 Battery combine

## Series X6-SM Disconnect Features

- Tin-Plated copper studs for maximum conductivity and corrosion resistance
- Studs accept 3/8" (M10) ring terminals
- One-piece terminal stud design never loosens over time
- 7/8" (22.22mm) stud length accepts multiple cable terminals
- Case design allows surface, rear, or front panel mounting
- Fits most, Blue Sea, PERKO and Guest battery switch mounting cut out patterns
- Tactile indicator conveys knob position by feel
- Alternator field disconnect protection

**COMING SOON**

California Required Warning

 WARNING: CANCER & REPRODUCTIVE HARM – [www.P65Warnings.Ca.Gov/](http://www.P65Warnings.Ca.Gov/)

Source One Supply, Inc.

33410 Liberty Parkway North Ridgeville, OH 44039  
 844-539-4677 liz@sourceonesupply.com

Specifications subject to change